

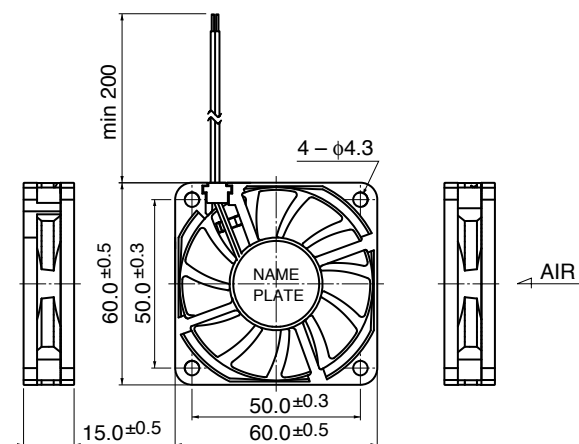
# 06015SS

## DC Axial Fan Sleeve Bearing

# 60<sup>□</sup>X15<sup>L</sup>



### Outline



### General Specifications

Motor Protection Auto Restart / Polarity Protection

Insulation Resistance 10M $\Omega$  or over with a DC500V Megger

Dielectric Withstand Voltage : AC700V 1s

Allowable Ambient : -10 $^{\circ}$ C ~ +70 $^{\circ}$ C (Operating)

Temperature Range -40 $^{\circ}$ C ~ +70 $^{\circ}$ C (Storage)  
non-condensing environment

### Expected Life

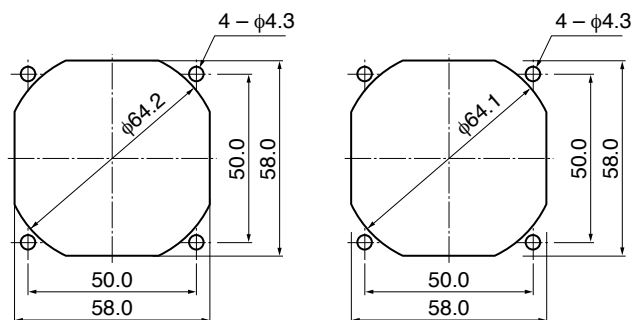
※ Failure Rate: 10% (L10 Life)

40 $^{\circ}$ C 40,000 (Hours)

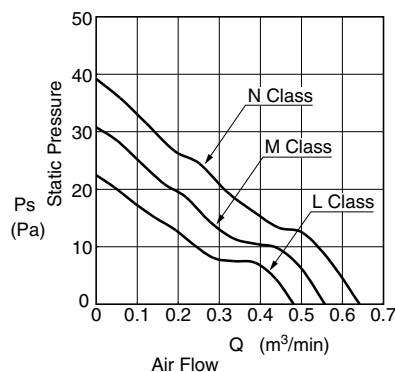
### Panel Out-cuts

(Inlet Side)

(Outlet Side)



### Characteristic Curves



### Material

Casing : Plastic (Black) UL94V-0  
Impeller : Plastic (Black) UL94V-0  
Bearing : Sleeve Bearing  
Lead Wire : UL1061 AWG26 + : Red, - : Black

### Specifications

Model	Product No.	Rating Voltage	Operating Voltage	Current	Input Power	Speed	Max. Air Flow		Max. Static Pressure		Noise	Mass
		(V)	(V)	(A)*1	(W)*1	(min <sup>-1</sup> )*1	(m <sup>3</sup> /min)*1	(CFM)*1	(Pa)	(In H <sub>2</sub> O)	(dB)*1	(g)
06015SS-12L-AA-	00	12	6.0 ~ 13.8	0.08	0.96	3200	0.48	17.0	22.4	0.09	26.0	37
06015SS-12M-AA-	00			0.11	1.32	3700	0.56	19.8	30.8	0.12	30.0	
06015SS-12N-AA-	00			0.17	2.04	4200	0.64	22.6	38.8	0.16	34.0	
06015SS-24L-AA-	00	24	10.0 ~ 26.4	0.05	1.20	3200	0.48	17.0	22.4	0.09	26.0	
06015SS-24M-AA-	00			0.06	1.44	3700	0.56	19.8	30.8	0.12	30.0	
06015SS-24N-AA-	00			0.10	2.40	4200	0.64	22.6	38.8	0.16	34.0	

Rotation: Clockwise as seen from the label side

Airflow Outlet: Label side

\*1: Average Values in Free Air